



**HIGH
RATE
SERIES**

**UPS12-270 VALVE REGULATED
LEAD ACID BATTERY**

FOR UPS STANDBY POWER APPLICATIONS

**12V 75 AH @ 20 HR RATE,
12V 282 WATTS/CELL @ 15 MIN. RATE**



FEATURES

- 10 Year design life @ 25°C (77°F)
- Absorbent Glass Mat (AGM) technology for efficient gas recombination of up to 99% and freedom from electrolyte maintenance.
- Patented flame-arresting one-way pressure-relief vent providing vacuum and controlled backpressure for long life recombinant operation.
- Designed to comply with ANSI and Eurobat battery standards.
- Specifically designed for optimum performance in UPS applications.
- Proprietary computer modeled radial grid matrix using multiple conductors for providing the lowest internal resistance and highest current carrying efficiency.
- Proprietary Fixed Orifice Pasting technology applying active material on both sides of the grid for consistent cell-to-cell performance, highest paste packing efficiency and uniform grid protection.
- Lowest calcium levels among battery manufacturers minimizing grid growth and extended battery life.
- UL-recognized component.
- Thermally welded case-to-cover bond to eliminate leakage.
- Can be mounted in any orientation. Upright, side, or end mounting recommended.
- Not restricted for air transport – Complies with IATA/ICAO Special Provision A67.
- Not restricted for surface transport – Classified as non-hazardous material as related to DOT-CFR Title 49 parts 171-189.
- Flame retardant polypropylene case and cover compliant with UL 1778 (optional).

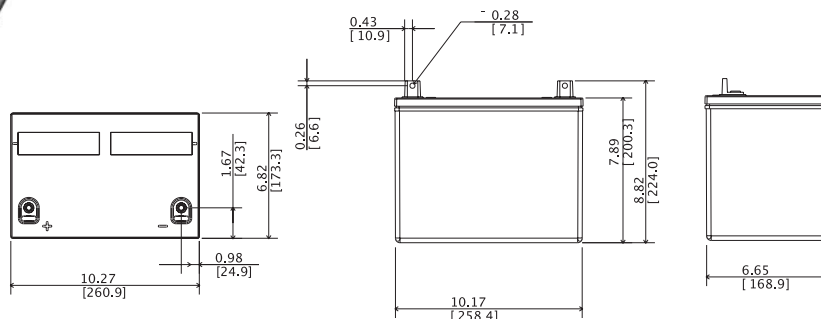
SPECIFICATIONS

12 Volts – 282 Watts Per Cell For 15 Minutes to 1.67 Volts per Cell

Constant Power Discharge Ratings – Watts Per Cell @ 77°F (25°C)

Operating Time to End Point Voltage (in Minutes)

End Point Volts/Cell	5	10	15	20	30	40	45	50	60	90
1.67	524	361	282	233	176	141	129	119	104	76



SPECIFICATIONS

Cells Per Unit	Voltage Per Unit	Weight	Electrolyte	Maximum Discharge Current	Short Circuit Current	Ohms Imped. 60 Hz (Ω)
6	12.84	57 lbs. 26 kg	Absorbed H ₂ SO ₄ SG = 1.300	800 Amps	3600 Amps @ 0.1 sec.	0.0030 Ohms

Capacity	282 watts per cell at the 15 minute rate to 1.67 volts per cell at 77°F (25°C). 75 Ah @ 20 hr. rate to 1.75 volts per cell @ 77°F (25°C). 66 Ah @ 10 hr. rate to 1.80 volts per cell @ 68°F (20°C).
Operating Temperature Range	Discharge; -40°F (-40°C) to +160°F (71°C), Charge; -10°F (-23°C) to +140°F (60°C). (with temperature compensation)
Nominal Operating Temperature Range	+74°F (23°C) to +80°F (27°C).
Float Charging Voltage	13.5 to 13.8 VDC/unit Average at 77°F (25°C).
Recommended Maximum Charging Current Limit	C/5 amperes (15 amperes @ 100% depth of discharge) @ 20 hour rate
Equalization and Cycle Service Charging Voltage	14.4 to 14.8 VDC/unit average at 77°F (25°C).
Maximum AC Ripple (Charger)	0.5% RMS or 1.5% P-P of float charge voltage recommended for best results. Maximum voltage allowed = 1.4% RMS (4% P-P). Maximum current allowed = 3.75 amperes rms (C/20).
Self Discharge	Dynasty UPS batteries may be stored for up to 6 months at 77°F (25°C) and then a freshening charge is required. For higher temperatures the time interval will be shorter.
Accessories	Inter unit connectors, racks and cabinet systems are available.
Terminal	"L" terminal with 0.28" clearance hole to accept 0.25" (6mm) bolt.
Terminal Hardware Initial Torque	40 in.-lbs. (4.5 N-m).
Terminal Hardware Annual Retorque	32 in.-lbs. (3.48 N-m).

Constant Power Discharge Ratings – Watts Per Cell @ 77°F (25°C)

Operating Time to End Point Voltage (in minutes)

End Point Volts/Cell	5	10	15	20	30	40	45	50	60	90
1.75	484	342	270	225	171	137	125	115	98	71
1.70	512	356	279	230	174	139	127	117	101	74
1.67	524	361	282	233	176	141	129	119	104	76
1.65	531	364	284	234	177	142	131	121	105	77
1.60	539	370	287	237	178	143	132	122	106	79

Constant Current Discharge Ratings – Amperes @ 77°F (25°C)

Operating Time to End Point Voltage (in hours)

End Point Volts/Cell	.083	.25	.50	.75	1	2	3	5	8	10	12	20	24	72	100
1.90	150	109	70	52	41.0	24.2	18.0	11.9	7.88	6.47	5.50	3.45	2.89	0.98	0.72
1.85	172	116	75	55	43.9	25.8	19.0	12.4	8.20	6.70	5.70	3.57	2.99	1.01	0.73
1.80	203	128	81	59	46.5	27.0	19.6	12.7	8.45	6.92	5.86	3.65	3.06	1.03	0.75
1.75	262	141	88	64	50.0	28.4	20.3	13.2	8.73	7.12	6.04	3.75	3.15	1.06	0.77

Note: Batteries to be mounted with 0.5 in. (1.25 cm) spacing minimum and free air ventilation. Specifications subject to change without notification.